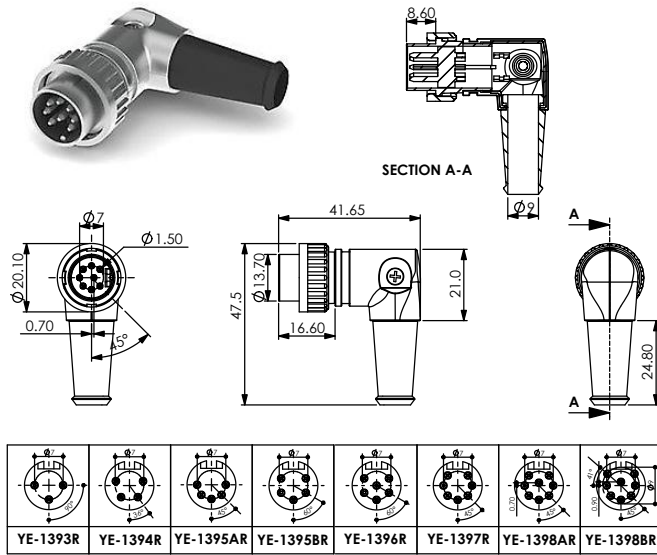


# YE-139XR DIN CABLE R/A PLUG METAL SHIELD BAYONET LOCKING ASS'Y



## MATERIAL :

1. SHIELD COVER : Zn ALLOY NICKEL PTD.
2. BAYONET CAP : Zn ALLOY NICKEL PTD.
3. STRAIN BOOT : PVC
4. SET SCREW : STEEL NICKEL PTD.
5. "T" HOLDER : STEEL NICKEL PTD.
6. HOUSING : PA66
7. TERMINALS : BRASS SILVER PTD.

## SPECIFICATION :

Rating : 100V AC 1A max.

Contact Resistance :

Pins 30mΩ max.

Shell 50mΩ max.

Insulation Resistance :

100MΩ at 500V DC min.

Voltage Withstand :

250V AC for 1 minute



**YE-1393R**



**YE-1394R**



**YE-1395AR**



**YE-1395BR**



**YE-1396R**



**YE-1397R**



**YE-1398AR**



**YE-1398BR**